

贯穿式微型电流互感器

Straight -Through Current Transformer

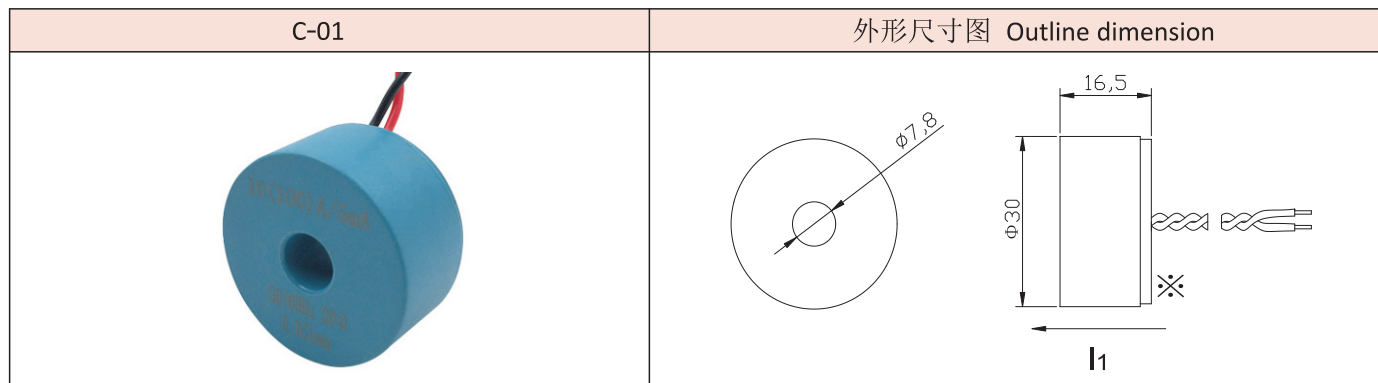
► 产品特征:

- 采用高导磁率磁芯，精度高，线性度好；
- 塑料外壳采用阻燃性材质；
- 环氧树脂浇注封装，绝缘能力强，抗震性能好；
- 符合抗直流分量要求；
- 使用广泛，主要用于电能表计量，设备仪器等；

► Features:

- Adopted high permeability core , high accuracy, good linear performance;
- Anti-combustion plastics case;
- Encapsulated with epoxy resin with strong insulation ability;
- DC immunity function;

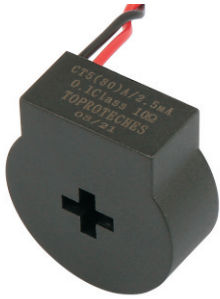
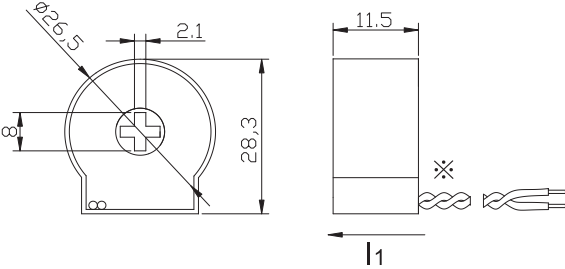
产品及外形尺寸图 Outline dimensions



常用规格及参数 Regular Specs and Parameters

Type 型号	Rated Primary Current(A) 额定初级电流(A)	Max. Current (A) 初级最大电流(A)	Secondary Current 额定次级电流(mA)	AC accuracy Class 交流精度等级	DC Error Class 直流精度等级
C-01	5	20/40/60/80/100	2/2.5/5	0.05/0.1/0.2	1.0/2.0
	10	40/60/80/100/120	4/5/10	0.05/0.1/0.2	1.0/2.0
	15	60/80/100/120	5/6/7.5/15	0.05/0.1/0.2	1.0/2.0
	20	80/100/120	5/8/10/20	0.05/0.1/0.2	


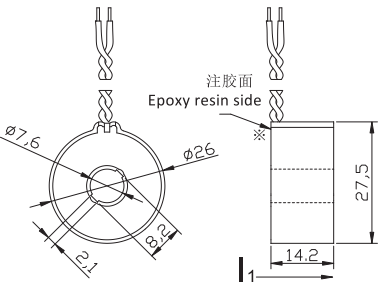
产品及外形尺寸图 Outline dimensions

C-02	外形尺寸图 Outline dimension
	

常用规格及参数 Regular Specs and Parameters

Type 型号	Rated Primary Current(A) 额定初级电流(A)	Max. Current (A) 初级最大电流(A)	Secondary Current 额定次级电流(mA)	AC accuracy Class 交流精度等级	DC Error Class 直流精度等级
C-02	5	20/40/60/80/100	2/2.5/5	0.05/0.1/0.2	
	10	40/60/80/100	4/5/10	0.05/0.1/0.2	
	15	60/80/100	6/7.5/15	0.05/0.1/0.2	
	20	80/100	8/10/20	0.05/0.1/0.2	

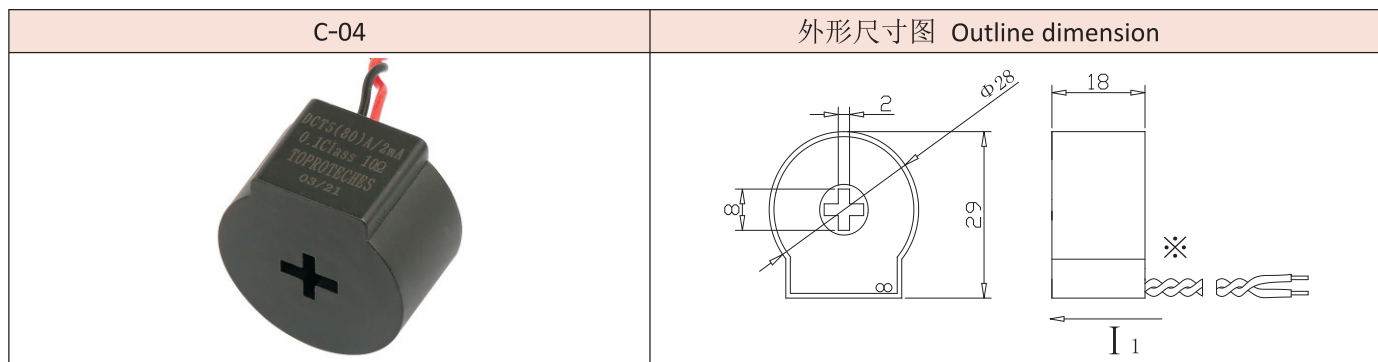
产品及外形尺寸图 Outline dimensions

C-03	外形尺寸图 Outline dimension
	

常用规格及参数 Regular Specs and Parameters

Type 型号	Rated Primary Current(A) 额定初级电流(A)	Max. Current (A) 初级最大电流(A)	Secondary Current 额定次级电流(mA)	AC accuracy Class 交流精度等级	DC Error Class 直流精度等级
C-03	5	20/40/60/80/100	2/2.5/5	0.05/0.1/0.2	
	10	40/60/80/100	4/5/10	0.05/0.1/0.2	
	15	60/80/100	5/6/7.5/15	0.05/0.1/0.2	
	20	80/100	5/8/10/20	0.05/0.1/0.2	

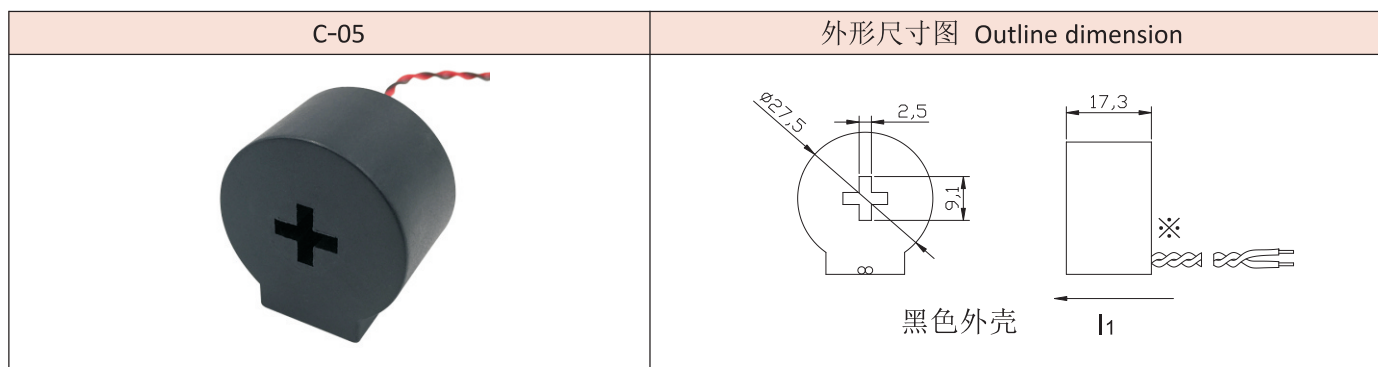
产品及外形尺寸图 Outline dimensions



常用规格及参数 Regular Specs and Parameters

Type 型号	Rated Primary Current(A) 额定初级电流(A)	Max. Current (A) 初级最大电流(A)	Secondary Current 额定次级电流(mA)	AC accuracy Class 交流精度等级	DC Error Class 直流精度等级
C-04	5	20/40/60/80/100	2/2.5/5	0.05/0.1/0.2	1.0/2.0
	10	40/60/80/100/120	4/5/10	0.05/0.1/0.2	1.0/2.0
	15	60/80/100/120	6/7.5/15	0.05/0.1/0.2	1.0/2.0
	20	80/100/120	8/10/20	0.05/0.1/0.2	1.0/2.0


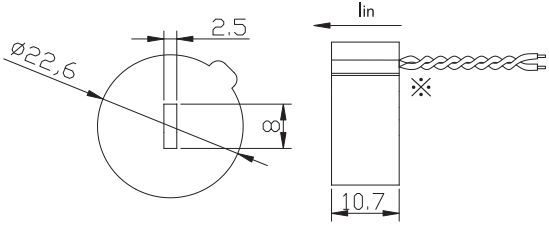
产品及外形尺寸图 Outline dimensions



常用规格及参数 Regular Specs and Parameters

Type 型号	Rated Primary Current(A) 额定初级电流(A)	Max. Current (A) 初级最大电流(A)	Secondary Current 额定次级电流(mA)	AC accuracy Class 交流精度等级	DC Error Class 直流精度等级
C-05	5	20/40/60/80/100	2/2.5/5	0.05/0.1/0.2	1.0/2.0
	10	40/60/80/100/120	4/5/10	0.05/0.1/0.2	1.0/2.0
	15	60/80/100/120	6/7.5/15	0.05/0.1/0.2	1.0/2.0
	20	80/100/120	8/10/20	0.05/0.1/0.2	1.0/2.0


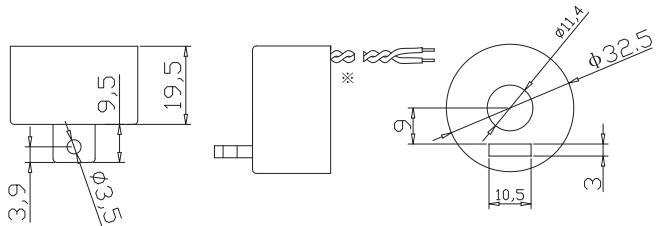
产品及外形尺寸图 Outline dimensions

C-06	外形尺寸图 Outline dimension
	

常用规格及参数 Regular Specs and Parameters

Type 型号	Rated Primary Current(A) 额定初级电流(A)	Max. Current (A) 初级最大电流(A)	Secondary Current 额定次级电流(mA)	AC accuracy Class 交流精度等级	DC Error Class 直流精度等级
C-06	5	20/40/60/80/100	2/2.5/5	0.05/0.1/0.2	
	10	40/60/80/100	4/5/10	0.05/0.1/0.2	
	15	60/80/100	6/7.5/15	0.05/0.1/0.2	
	20	80/100	8/10/20	0.05/0.1/0.2	

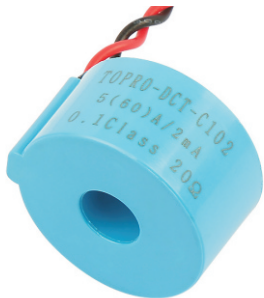
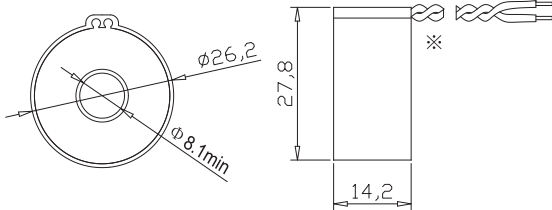
产品及外形尺寸图 Outline dimensions

C-07	外形尺寸图 Outline dimension
	

常用规格及参数 Regular Specs and Parameters

Type 型号	Rated Primary Current(A) 额定初级电流(A)	Max. Current (A) 初级最大电流(A)	Secondary Current 额定次级电流(mA)	AC accuracy Class 交流精度等级	DC Error Class 直流精度等级
C-07	5	20/40/60/80/100	2/2.5/5	0.05/0.1/0.2	1.0/2.0
	10	40/60/80/100/120	4/5/10	0.05/0.1/0.2	1.0/2.0
	15	60/80/100/120	6/7.5/15	0.05/0.1/0.2	1.0/2.0
	20	80/100/120	8/10/20	0.05/0.1/0.2	1.0/2.0


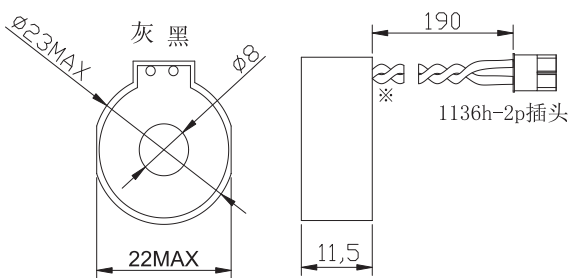
产品及外形尺寸图 Outline dimensions

C-08	外形尺寸图 Outline dimension
	

常用规格及参数 Regular Specs and Parameters

Type 型号	Rated Primary Current(A) 额定初级电流(A)	Max. Current (A) 初级最大电流(A)	Secondary Current 额定次级电流(mA)	AC accuracy Class 交流精度等级	DC Error Class 直流精度等级
C-08	5	20/40/60/80/100	2/2.5/5	0.05/0.1/0.2	
	10	40/60/80/100/120	4/5/10	0.05/0.1/0.2	
	15	60/80/100/120	6/7.5/15	0.05/0.1/0.2	
	20	80/100/120	8/10/20	0.05/0.1/0.2	

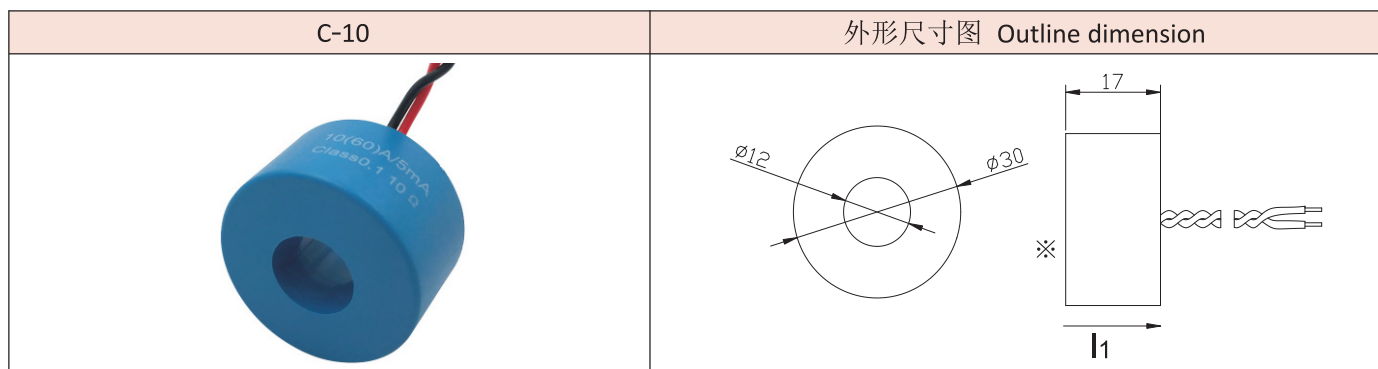
产品及外形尺寸图 Outline dimensions

C-09	外形尺寸图 Outline dimension
	

常用规格及参数 Regular Specs and Parameters

Type 型号	Rated Primary Current(A) 额定初级电流(A)	Max. Current (A) 初级最大电流(A)	Secondary Current 额定次级电流(mA)	AC accuracy Class 交流精度等级	DC Error Class 直流精度等级
C-09	5	20/40/60/80/100	2/2.5/5	0.05/0.1/0.2	
	10	40/60/80/100	4/5/10	0.05/0.1/0.2	
	15	60/80/100	6/7.5/15	0.05/0.1/0.2	
	20	80/100	8/10/20	0.05/0.1/0.2	

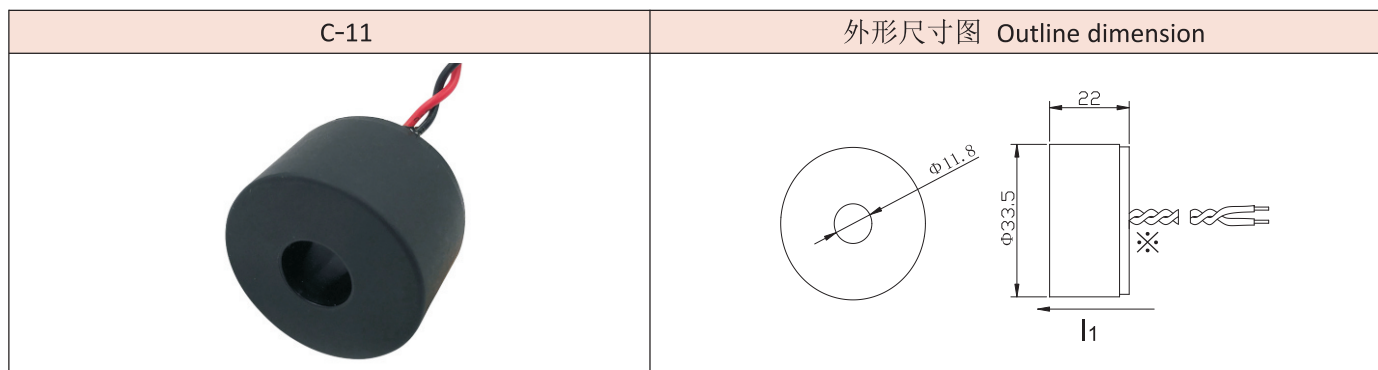
产品及外形尺寸图 Outline dimensions



常用规格及参数 Regular Specs and Parameters

Type 型号	Rated Primary Current(A) 额定初级电流(A)	Max. Current (A) 初级最大电流(A)	Secondary Current 额定次级电流(mA)	AC accuracy Class 交流精度等级	DC Error Class 直流精度等级
C-10	5	20/40/60/80/100	2/2.5/5	0.05/0.1/0.2	
	10	40/60/80/100	4/5/10	0.05/0.1/0.2	
	15	60/80/100	6/7.5/15	0.05/0.1/0.2	
	20	80/100	8/10/20	0.05/0.1/0.2	


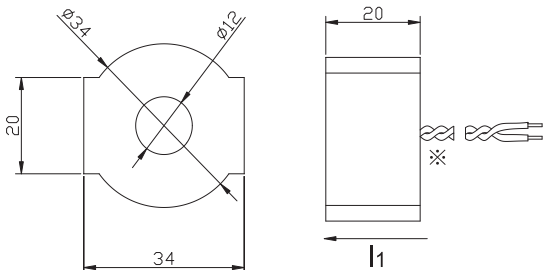
产品及外形尺寸图 Outline dimensions



常用规格及参数 Regular Specs and Parameters

Type 型号	Rated Primary Current(A) 额定初级电流(A)	Max. Current (A) 初级最大电流(A)	Secondary Current 额定次级电流(mA)	AC accuracy Class 交流精度等级	DC Error Class 直流精度等级
C-11	5	20/40/60/80/100	2/2.5/5	0.05/0.1/0.2	1.0/2.0
	10	40/60/80/100/120	4/5/10	0.05/0.1/0.2	1.0/2.0
	15	60/80/100/120	6/7.5/15	0.05/0.1/0.2	1.0/2.0
	20	80/100/120	8/10/20	0.05/0.1/0.2	1.0/2.0

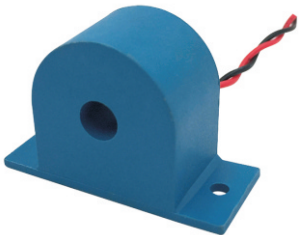
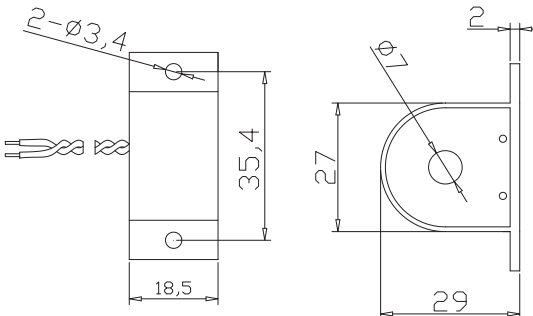
产品及外形尺寸图 Outline dimensions

C-12	外形尺寸图 Outline dimension
	

常用规格及参数 Regular Specs and Parameters

Type 型号	Rated Primary Current(A) 额定初级电流(A)	Max. Current (A) 初级最大电流(A)	Secondary Current 额定次级电流(mA)	AC accuracy Class 交流精度等级	DC Error Class 直流精度等级
C-12	5	20/40/60/80/100	2/2.5/5	0.05/0.1/0.2	1.0/2.0
	10	40/60/80/100/120	4/5/10	0.05/0.1/0.2	1.0/2.0
	15	60/80/100/120	6/7.5/15	0.05/0.1/0.2	1.0/2.0
	20	80/100/120	8/10/20	0.05/0.1/0.2	1.0/2.0

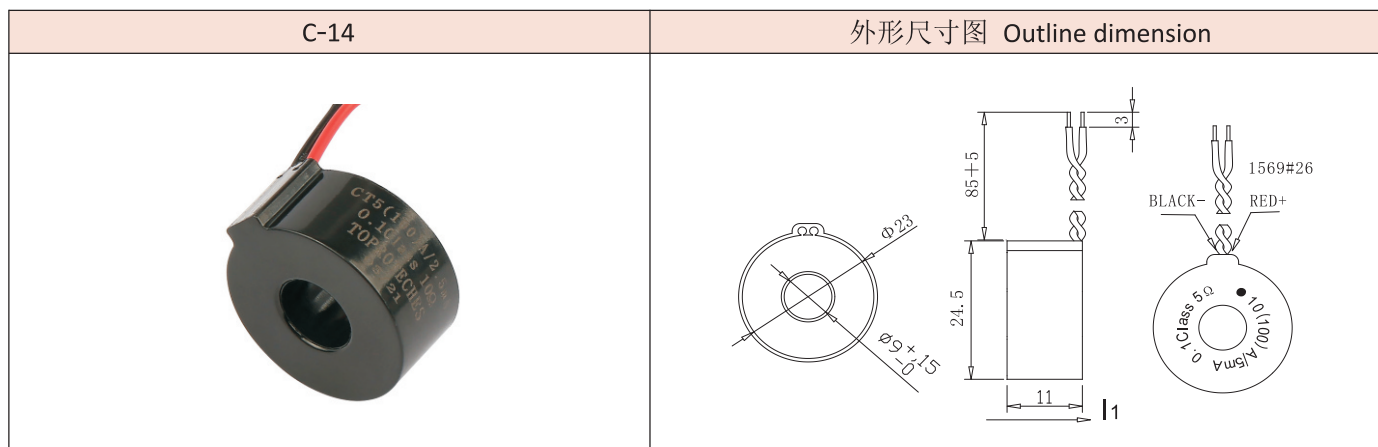
产品及外形尺寸图 Outline dimensions

C-13	外形尺寸图 Outline dimension
	

常用规格及参数 Regular Specs and Parameters

Type 型号	Rated Primary Current(A) 额定初级电流(A)	Max. Current (A) 初级最大电流(A)	Secondary Current 额定次级电流(mA)	AC accuracy Class 交流精度等级	DC Error Class 直流精度等级
C-13	5	20/40/60/80/100	2/2.5/5	0.05/0.1/0.2	1.0/2.0
	10	40/60/80/100/120	4/5/10	0.05/0.1/0.2	1.0/2.0
	15	60/80/100/120	6/7.5/15	0.05/0.1/0.2	
	20	80/100/120	8/10/20	0.05/0.1/0.2	

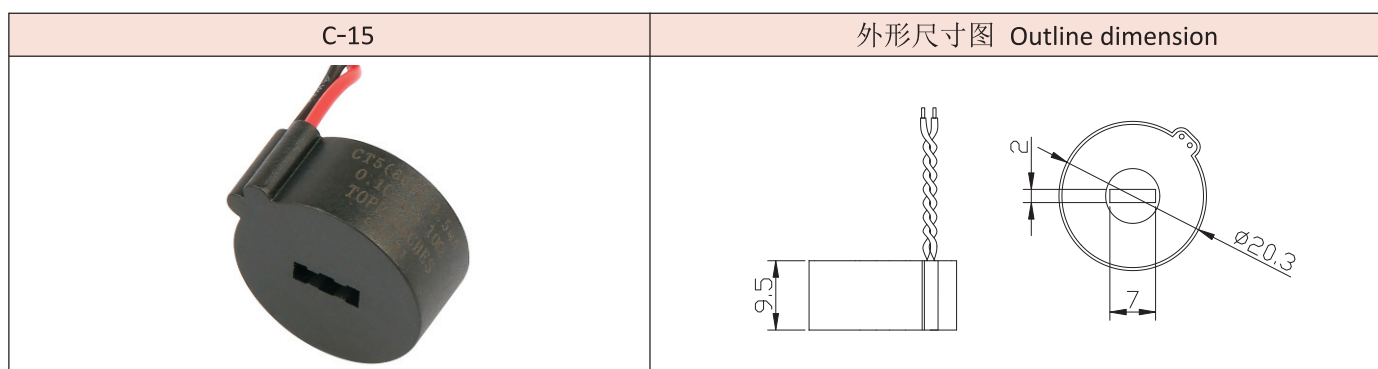
产品及外形尺寸图 Outline dimensions



常用规格及参数 Regular Specs and Parameters

Type 型号	Rated Primary Current(A) 额定初级电流(A)	Max. Current (A) 初级最大电流(A)	Secondary Current 额定次级电流(mA)	AC accuracy Class 交流精度等级	DC Error Class 直流精度等级
C-14	5	20/40/60/80/100	2/2.5/5	0.05/0.1/0.2	
	10	40/60/80/100	4/5/10	0.05/0.1/0.2	
	15	60/80/100	6/7.5/15	0.05/0.1/0.2	
	20	80/100	8/10/20	0.05/0.1/0.2	

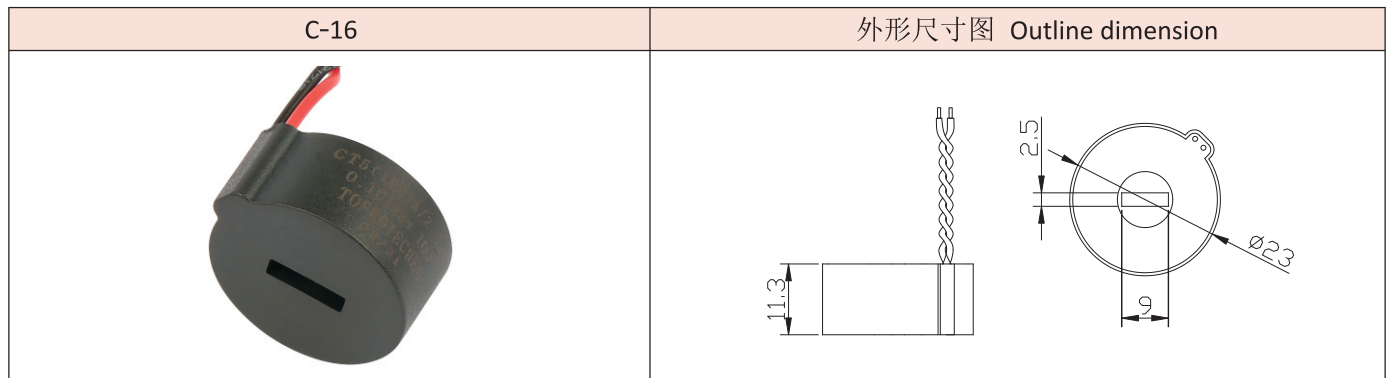
产品及外形尺寸图 Outline dimensions



常用规格及参数 Regular Specs and Parameters

Type 型号	Rated Primary Current(A) 额定初级电流(A)	Max. Current (A) 初级最大电流(A)	Secondary Current 额定次级电流(mA)	AC accuracy Class 交流精度等级	DC Error Class 直流精度等级
C-15	5	20/40/60/80	2.0/2.5/5	0.1/0.2	
	10	40/60/80	4/5/10	0.1/0.2	
	15	60/80	6/7.5/15	0.1/0.2	

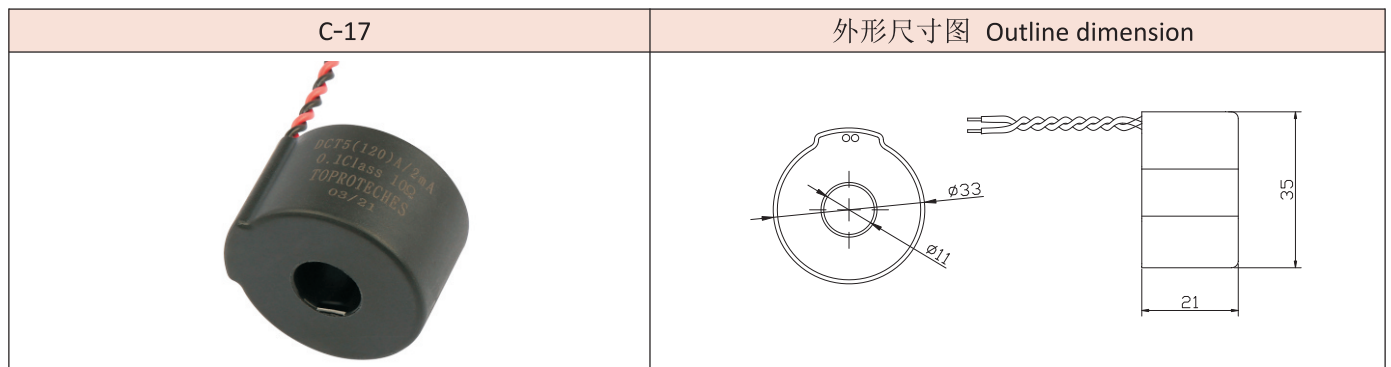
产品及外形尺寸图 Outline dimensions



常用规格及参数 Regular Specs and Parameters

Type 型号	Rated Primary Current(A) 额定初级电流(A)	Max. Current (A) 初级最大电流(A)	Secondary Current 额定次级电流(mA)	AC accuracy Class 交流精度等级	DC Error Class 直流精度等级
C-16	5	20/40/60/80/100/	2.0/2.5/5	0.1/0.2	
	10	40/60/80/100	4/5/10	0.1/0.2	
	15	60/80/100	6/7.5/15	0.1/0.2	
	20	80/100	8/10/20	0.1/0.2	


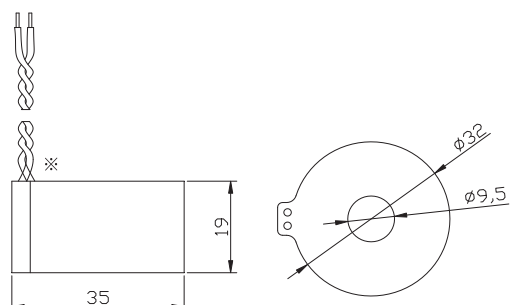
产品及外形尺寸图 Outline dimensions



常用规格及参数 Regular Specs and Parameters

Type 型号	Rated Primary Current(A) 额定初级电流(A)	Max. Current (A) 初级最大电流(A)	Secondary Current 额定次级电流(mA)	AC accuracy Class 交流精度等级	DC Error Class 直流精度等级
C-17	5	20/40/60/80/100/	2.0/2.5/5	0.05/0.1/0.2	
	10	40/60/80/100/120	4/5/10	0.05/0.1/0.2	
	15	60/80/100/120	6/7.5/15	0.05/0.1/0.2	
	20	80/100/120	8/10/20	0.05/0.1/0.2	


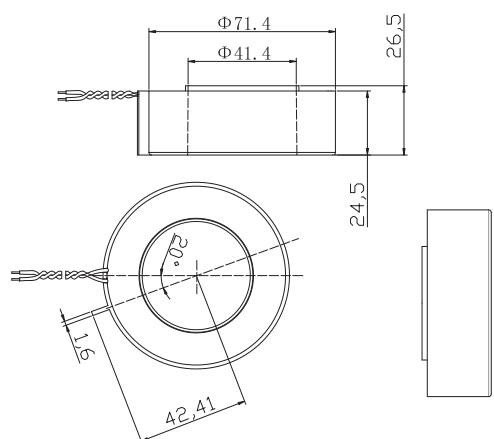
产品及外形尺寸图 Outline dimensions

C-18	外形尺寸图 Outline dimension
	

常用规格及参数 Regular Specs and Parameters

Type 型号	Rated Primary Current(A) 额定初级电流(A)	Max. Current (A) 初级最大电流(A)	Secondary Current 额定次级电流(mA)	AC accuracy Class 交流精度等级	DC Error Class 直流精度等级
C-18	5	20/40/60/80/100/	2.0/2.5/5	0.05/0.1/0.2	
	10	40/60/80/100/120	4/5/10	0.05/0.1/0.2	
	15	60/80/100/120	6/7.5/15	0.05/0.1/0.2	
	20	80/100/120	8/10/20	0.05/0.1/0.2	


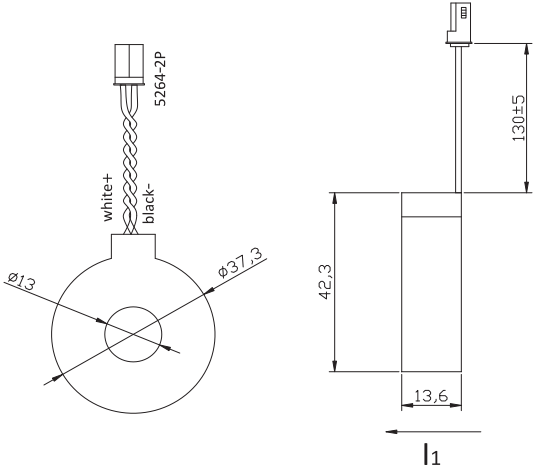
产品及外形尺寸图 Outline dimensions

C-19	外形尺寸图 Outline dimension
	

常用规格及参数 Regular Specs and Parameters

Type 型号	Rated Primary Current(A) 额定初级电流(A)	Max. Current (A) 初级最大电流(A)	Secondary Current 额定次级电流(mA)	AC accuracy Class 交流精度等级	DC Error Class 直流精度等级
C-19	40	200A/300A	8	0.1/0.2	1.0/2.0


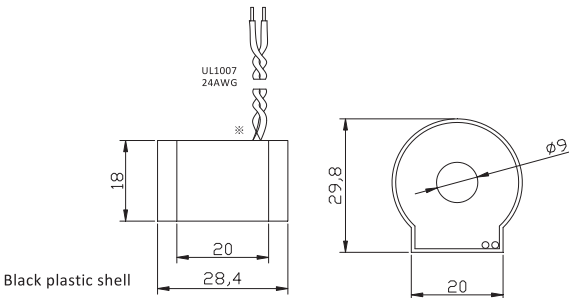
产品及外形尺寸图 Outline dimensions

C-20	外形尺寸图 Outline dimension
	

常用规格及参数 Regular Specs and Parameters

Type 型号	Rated Primary Current(A) 额定初级电流(A)	Max. Current (A) 初级最大电流(A)	Secondary Current 额定次级电流(mA)	AC accuracy Class 交流精度等级	DC Error Class 直流精度等级
C-20	5	20/40/60/80/100/	2.0/2.5/5	0.1/0.2	1.0/2.0
	10	40/60/80/100/120	4/5/10	0.1/0.2	1.0/2.0
	15	60/80/100/120	6/7.5/15	0.1/0.2	1.0/2.0
	20	80/100/120	8/10/20	0.1/0.2	1.0/2.0


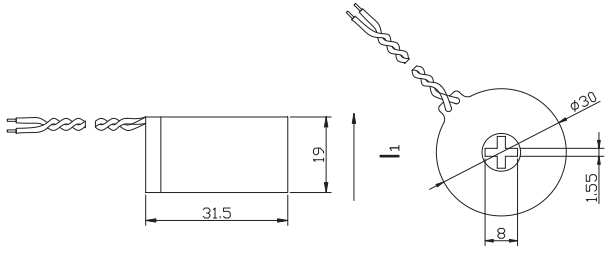
产品及外形尺寸图 Outline dimensions

C-21	外形尺寸图 Outline dimension
	

常用规格及参数 Regular Specs and Parameters

Type 型号	Rated Primary Current(A) 额定初级电流(A)	Max. Current (A) 初级最大电流(A)	Secondary Current 额定次级电流(mA)	AC accuracy Class 交流精度等级	DC Error Class 直流精度等级
C-21	5	20/40/60/80/100/	2.0/2.5/5	0.1/0.2	1.0/2.0
	10	40/60/80/100/120	4/5/10	0.1/0.2	1.0/2.0
	15	60/80/100/120	6/7.5/15	0.1/0.2	1.0/2.0
	20	80/100/120	8/10/20	0.1/0.2	1.0/2.0


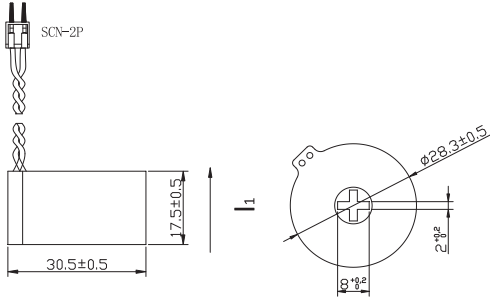
产品及外形尺寸图 Outline dimensions

C-22	外形尺寸图 Outline dimension
	

常用规格及参数 Regular Specs and Parameters

Type 型号	Rated Primary Current(A) 额定初级电流(A)	Max. Current (A) 初级最大电流(A)	Secondary Current 额定次级电流(mA)	AC accuracy Class 交流精度等级	DC Error Class 直流精度等级
C-22	5	20/40/60/80/100/	2.0/2.5/5	0.1/0.2	1.0/2.0
	10	40/60/80/100/120	4/5/10	0.1/0.2	1.0/2.0
	15	60/80/100/120	6/7.5/15	0.1/0.2	1.0/2.0
	20	80/100/120	8/10/20	0.1/0.2	1.0/2.0


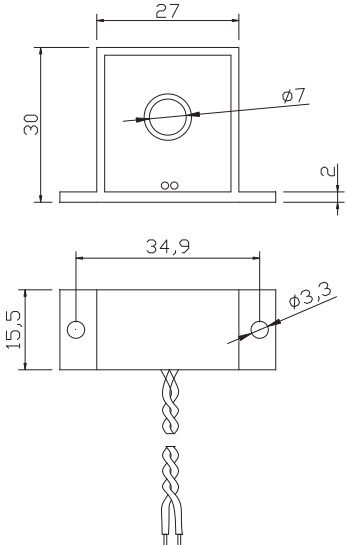
产品及外形尺寸图 Outline dimensions

C-23	外形尺寸图 Outline dimension
	

常用规格及参数 Regular Specs and Parameters

Type 型号	Rated Primary Current(A) 额定初级电流(A)	Max. Current (A) 初级最大电流(A)	Secondary Current 额定次级电流(mA)	AC accuracy Class 交流精度等级	DC Error Class 直流精度等级
C-23	5	20/40/60/80/100/	2.0/2.5/5	0.1/0.2	1.0/2.0
	10	40/60/80/100/120	4/5/10	0.1/0.2	1.0/2.0
	15	60/80/100/120	6/7.5/15	0.1/0.2	1.0/2.0
	20	80/100/120	8/10/20	0.1/0.2	1.0/2.0

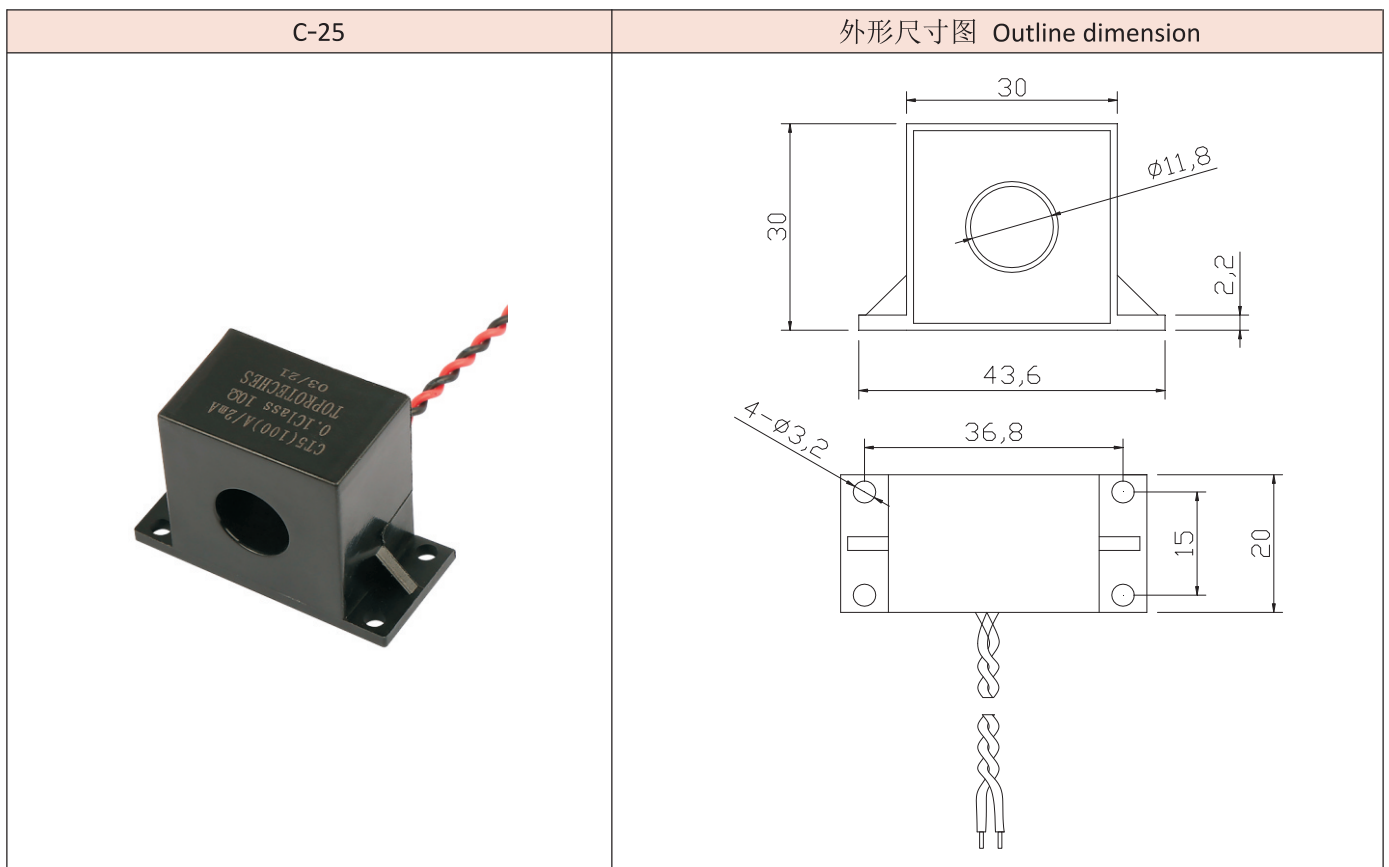
产品及外形尺寸图 Outline dimensions

C-24	外形尺寸图 Outline dimension
	

常用规格及参数 Regular Specs and Parameters

Type 型号	Rated Primary Current(A) 额定初级电流(A)	Max. Current (A) 初级最大电流(A)	Secondary Current 额定次级电流(mA)	AC accuracy Class 交流精度等级	DC Error Class 直流精度等级
C-24	5	20/40/60/80/100/	2.0/2.5/5	0.1/0.2	1.0/2.0
	10	40/60/80/100/120	4/5/10	0.1/0.2	1.0/2.0
	15	60/80/100/120	6/7.5/15	0.1/0.2	1.0/2.0
	20	80/100/120	8/10/20	0.1/0.2	1.0/2.0

产品及外形尺寸图 Outline dimensions



常用规格及参数 Regular Specs and Parameters

Type 型号	Rated Primary Current(A) 额定初级电流(A)	Max. Current (A) 初级最大电流(A)	Secondary Current 额定次级电流(mA)	AC accuracy Class 交流精度等级	DC Error Class 直流精度等级
C-25	5	20/40/60/80/100/	2.0/2.5/5	0.1/0.2	1.0/2.0
	10	40/60/80/100/120	4/5/10	0.1/0.2	1.0/2.0
	15	60/80/100/120	6/7.5/15	0.1/0.2	1.0/2.0
	20	80/100/120	8/10/20	0.1/0.2	1.0/2.0