

BH-0.66 系列互感器**BH-0.66 series Current transformer****▶ 产品描述 Description**

BH-0.66/A series current transformers are used mainly in indoor, with frequency of 50/60 Hz, and rated voltage $\leq 0.66\text{KV}$, Conform to international standard IEC61869 and GB 20840-2016.

▶ 产品应用 Applications

- Current measurement, monitoring and protection for electrical circuit or equipment;
- Current and power measurement for electric motors, lighting, air compressor, heating and ventilation system, air-conditioner equipment and auto control system;
- Current, power and energy monitoring device;
- Energy or relay protection device.

► **技术指标 Technical index**

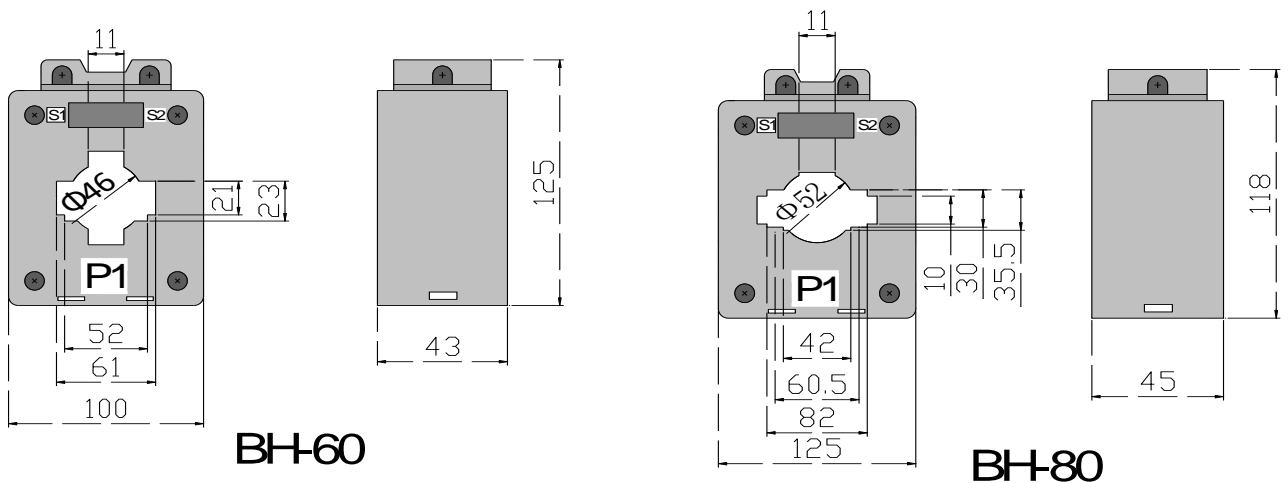
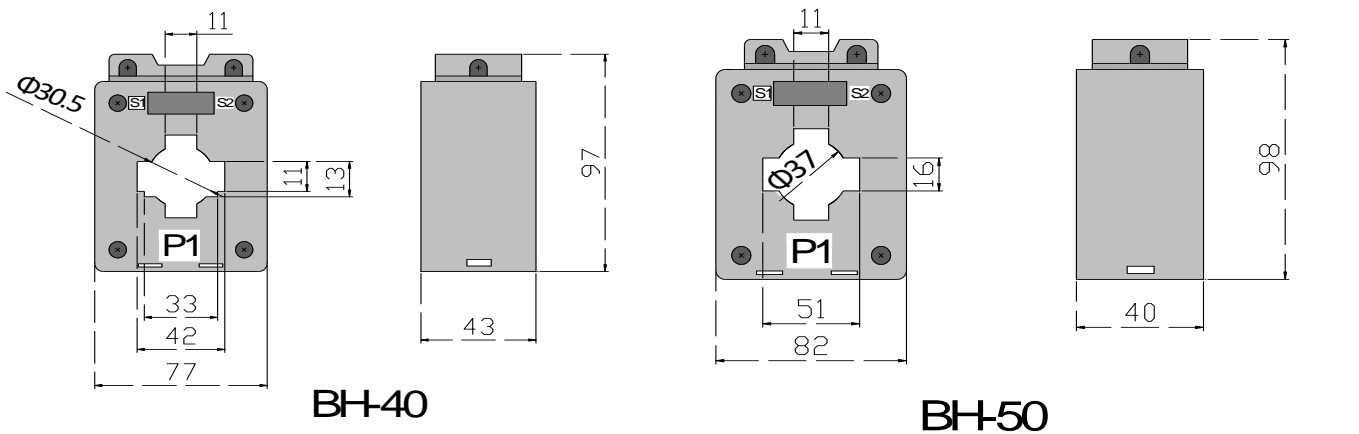
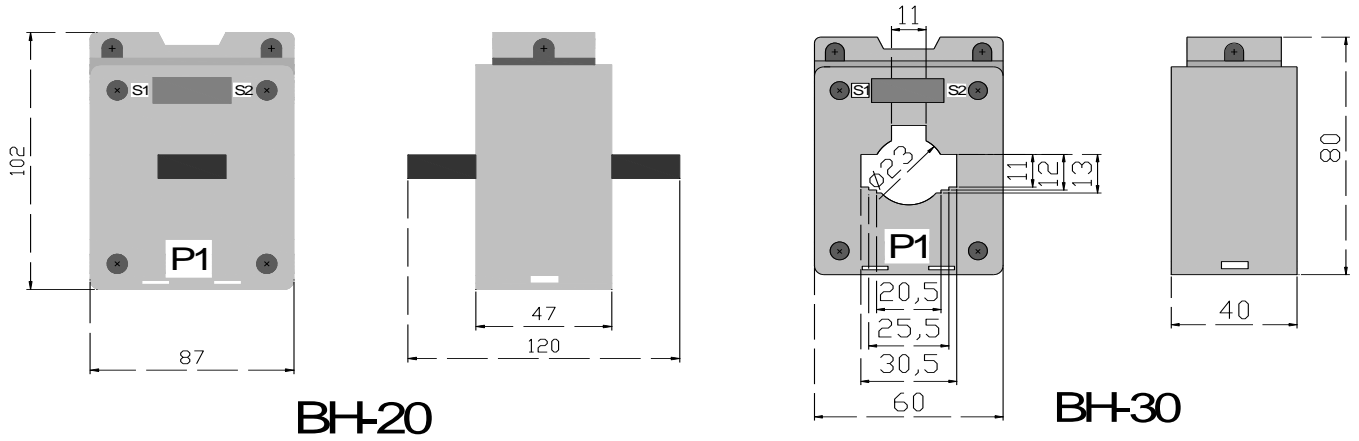
Rated input current 额定输入电流	30A-5000A
Rated output current 额定输出电流	5A,1A
Rated voltage 额定电压	0.66KV
Accuracy class 精度等级	0.2S , 0.5S, 0.2, 0.5, 1 class;
Frequency 频率	50/60 Hz
Power factor 功率因素	Cosφ=1.0;
Dielectric strength 耐压	4.0KV/1mA , No breakdown for 60S
Insulation 绝缘强度	DC 500V/1000MΩ Min
CT core 磁芯材质	Silicon steel
Connection 连接方式	screws
Operating temperature	-45-+75 °C
Air humidity 空气湿度	≤ 85% (at 20°C) ;

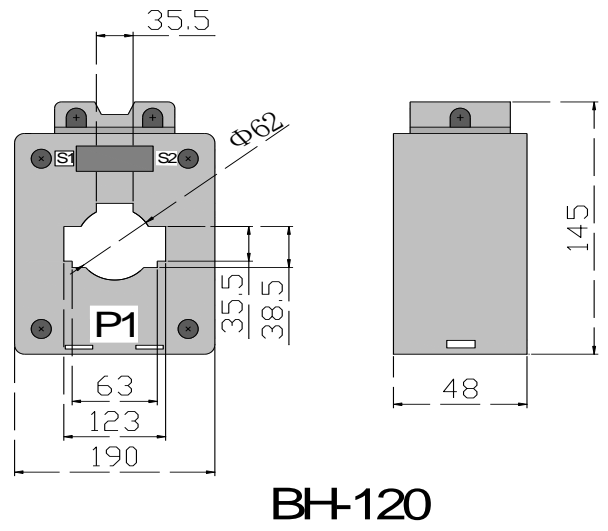
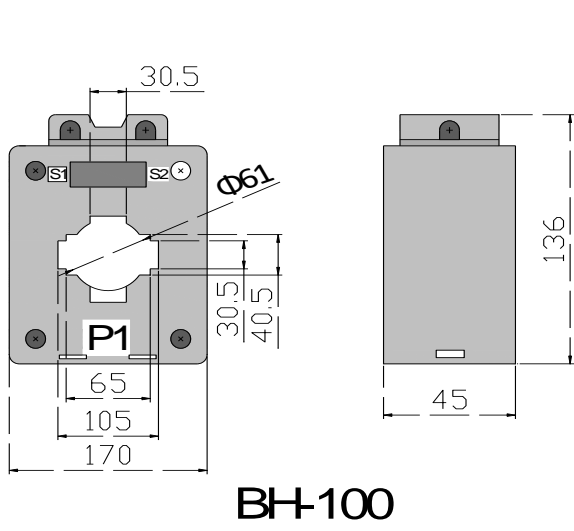
► **产品规格和参数 Specs and parameters**

Type 型号	Rated ratio 电流比	Accuracy class / Rated load (VA) 精度等级/ 容量 (VA)					Rated voltage 额定电压(KV)
		0.2S	0.2	0.5S	0.5	1	
BH-0.66/20	30/5A--100/5A	2.5	2.5	2.5	2.5	5	0.66
BH-0.66/30	30/5A--300/5A	2.5-5	5	5	5	5	0.66
BH-0.66/40	100/5A-600/5A	2.5-5	2.5-5	2.5-5	5	5	0.66
BH-0.66/50	300/5A--800/5A	5-10	5-10	5-10	5-10	5-10	0.66
BH-0.66/60	300/5A--1500/5A	5-10	5-10	5-10	5-10	5-10	0.66
BH-0.66/80	300/5A--2000/5A	5-10	5-10	5-10	5-10	10	0.66
BH-0.66/100	400/5A--3000/5A	5-10	5-10	5-10	5-10	10-15	0.66
BH-0.66/120	2000/5A--5000/5A	10-20	10-20	10-20	10-20	10-25	0.66

► 外形尺寸 (参考以上对应产品规格)

Outline dimensions (See above specs)





► **安装 Installation**

